

REAL CEDAR VERTICAL GARDEN WITH REMOVABLE PLANTER BOXES

DESIGN: REAL CEDAR ORIGINAL

Limited space? No problem. This chic vertical garden is ideal for condo-sized balconies. It's also perfect for propping up against a fence, garage or side of the house. The boxes are removable and great for herbs, flowers or a combo of both. Basically, you can't go wrong. No matter how you rock this ladder-style garden, it's going to enhance the beauty and function of your outdoor living space. It's also going to last you a long time. That's because the project plan calls for Western Red Cedar, which is naturally resistant to rot, decay and insects. So you don't need to finish it with a chemical finish, an added bonus if your goal is to grow herbs or vegetables.

In terms of WRC grades, choose Architect Knotty for a more rustic look and Architect Clear for a polished contemporary look. And when it comes to specifying sizes, we recommend asking your local Real Cedar retailer if they have any short lengths in stock. Using short lengths means less cutting, less waste and more savings for you.

For more fast facts on building with Real Cedar, download our free DIY app - available on the Apple App Store for iOS and at Google Play for Android.

WHAT YOU'LL NEED

Part #	Description	FINISHED SIZE			Sizes	Material	Qty.
		T	W	L			
A	Post	1 1/2"	5 1/2"	73 1/4"	2x6x8'	Knotty WRC	2
B	Shelf	1 1/2"	3 1/2"	24 1/4"	2x4x24 1/4"	Knotty WRC	4
C	Support	1 1/2"	5 1/2"	27	2x6x3'	Knotty WRC	1
D	Planter Box						4
D1	Box front & back	3/4"	5 1/2"	24"	1x6x2'	Knotty WRC	8
D2	Box sides	3/4"	5 1/2"	9 1/4"	1x6x1'	Knotty WRC	8
D3	Box bottom	1 1/2"	3 1/2"	24"	2x4x2'	Knotty WRC	8
D4	Box bottom	1 1/2"	1 1/2"	9 1/4"	2x2x1'	Knotty WRC	8
D5	Box bottom	3/4"	5 1/2"	19 1/2"	1x6x2'	Knotty WRC	4
D6	Box cap	3/4"	1 1/2"	24"	1x2x2'	Knotty WRC	8
D7	Box cap	3/4"	1 1/2"	7 3/4"	1x2x1'	Knotty WRC	8
Hardware							
E	Screws			1 3/4"		Stainless steel screws	50
F	Screws			2 1/2"		Stainless steel screws	200
G	Staples				3/8"	Planting fabric lining	
H	Lining				3'x3'	Galvanized staples	4

FASTENER PRO TIPS

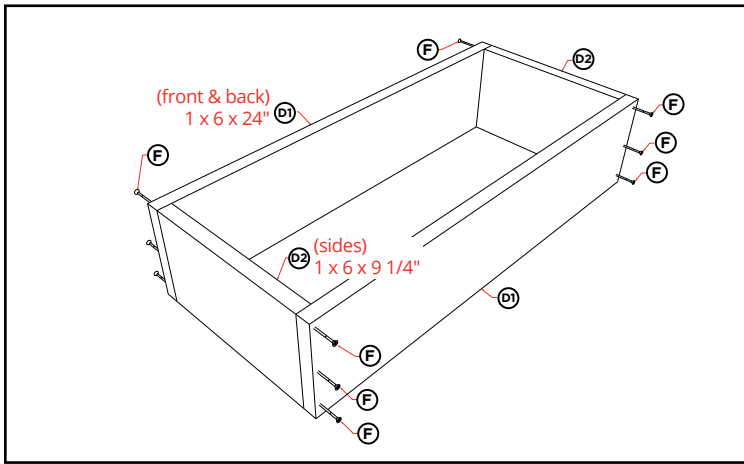
1. Where gluing is required, only apply a polyurethane construction adhesive specially formulated for outdoor applications. Using a scrap of wood, spread a thin even layer of glue like butter on toast. Avoid applying excessive amounts and keep glue at least 1/2" away from exterior edges of joint to avoid unappealing bleed out. Press pieces in place briefly, then pull them apart for a second before pressing firmly back in place (this helps activate the glue so it will set faster). Always use clamps to keep pieces in position while driving in screws because until the glue dries, pieces are at risk of slipping.
2. For all outdoor work, you should use corrosion--resistant, hot-dipped galvanized or stainless steel fasteners. In fact, all hardware including bolts, hinges, nails etc. should be made from similar corrosion-resistant materials.

Note: Staples are not an acceptable substitute for bolts, screws, nails or other fasteners.

PRE-DRILLING PRO TIPS

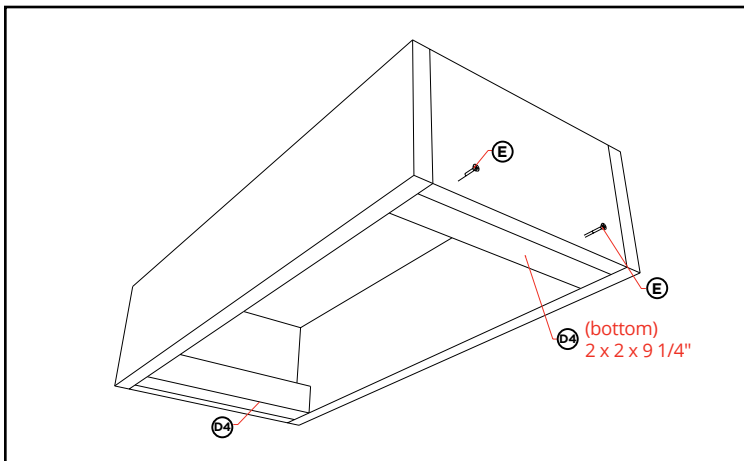
When using fasteners very close to the end of thinner boards such as 1x6s, it's important to drill a pilot hole (same size as shaft of screw, but smaller than diameter of the threads. Example: with #8 screws, use a 1/8th" drill bit). Otherwise the wood may split.

Note: When driving screws that sit more than approximately 3" away from the end of a board, pre-drilling is not necessary.



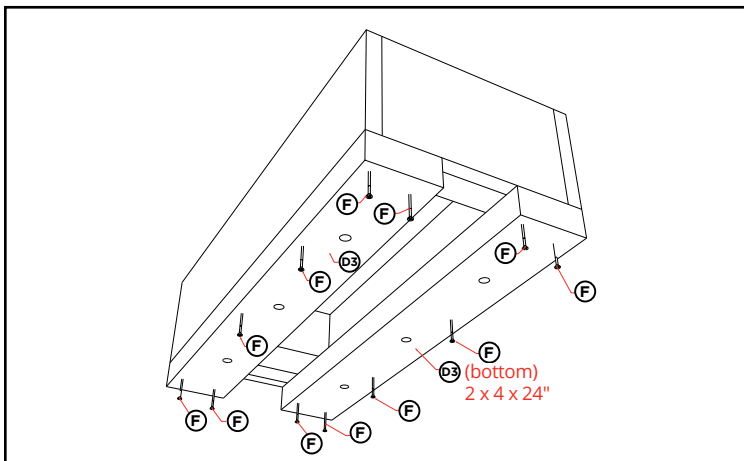
STEP 1 - Build Box Frame

Prep all box frame wood according to material list measurements first. Then start assembling one planter box at a time, beginning with the main frame. Using (F) screws, connect two (D2) sides between a (D1) front and (D1) back.



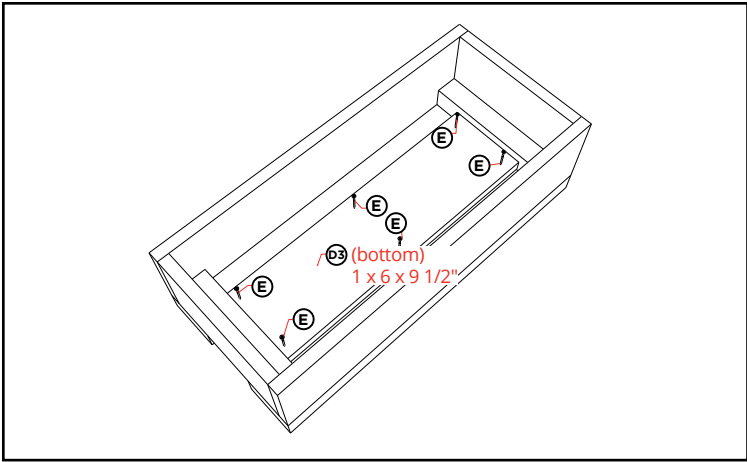
STEP 2 - Install Bottom Support

Using glue & (E) screws, attach (D4) bottoms to inner bottom (D2) sides.



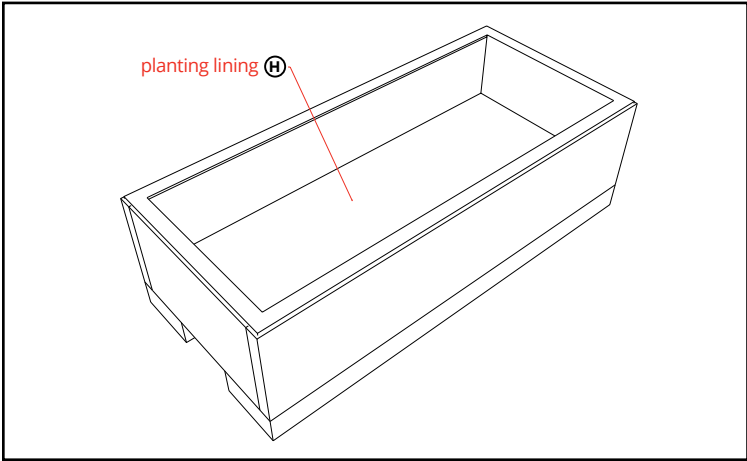
STEP 3 - Attach Bottom Frames

Drill three 1/2" holes in each (D3) to allow water to drain out. Using (F) screws, attach two (D3) bottom frames to (D4) supports.



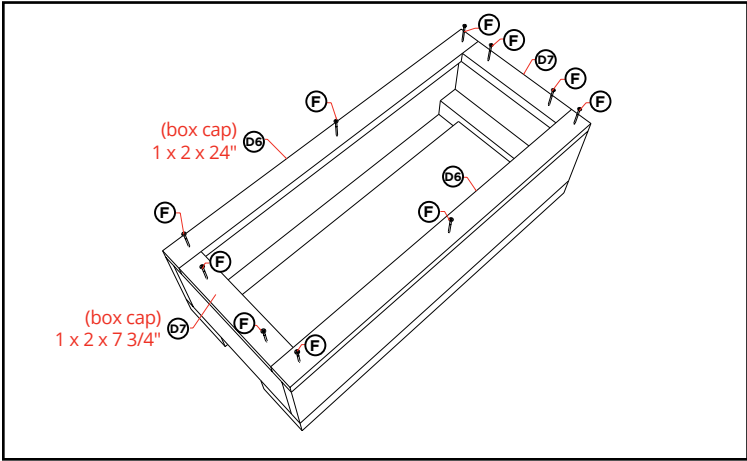
STEP 4 - Add Center Bottom

Using (E) screws, connect (D5) bottom to interior of (D3) bottom frames.



STEP 5 - Line With Fabric

Fold the upper edge of the lining over on itself to make it straight and stronger. Then line it up to inside lip of the box and staple every few inches. Fold corners behind themselves and staple where the fabric is folded over. Allow ample fabric to sit loosely in the box. It's better to have excess fabric in the box rather than too little which could then stretch and tear under weight of dirt.

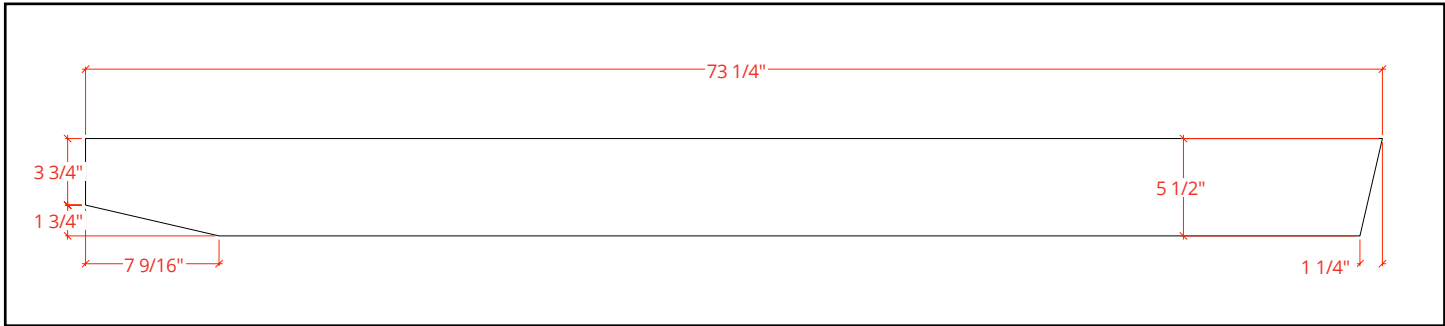


STEP 6 - Top With Caps

Using (F) screws, complete frames by attaching two (D6) box caps to (D1) front & back and two (D7) box caps to (D2) sides.

STEP 7 - Build Ladder

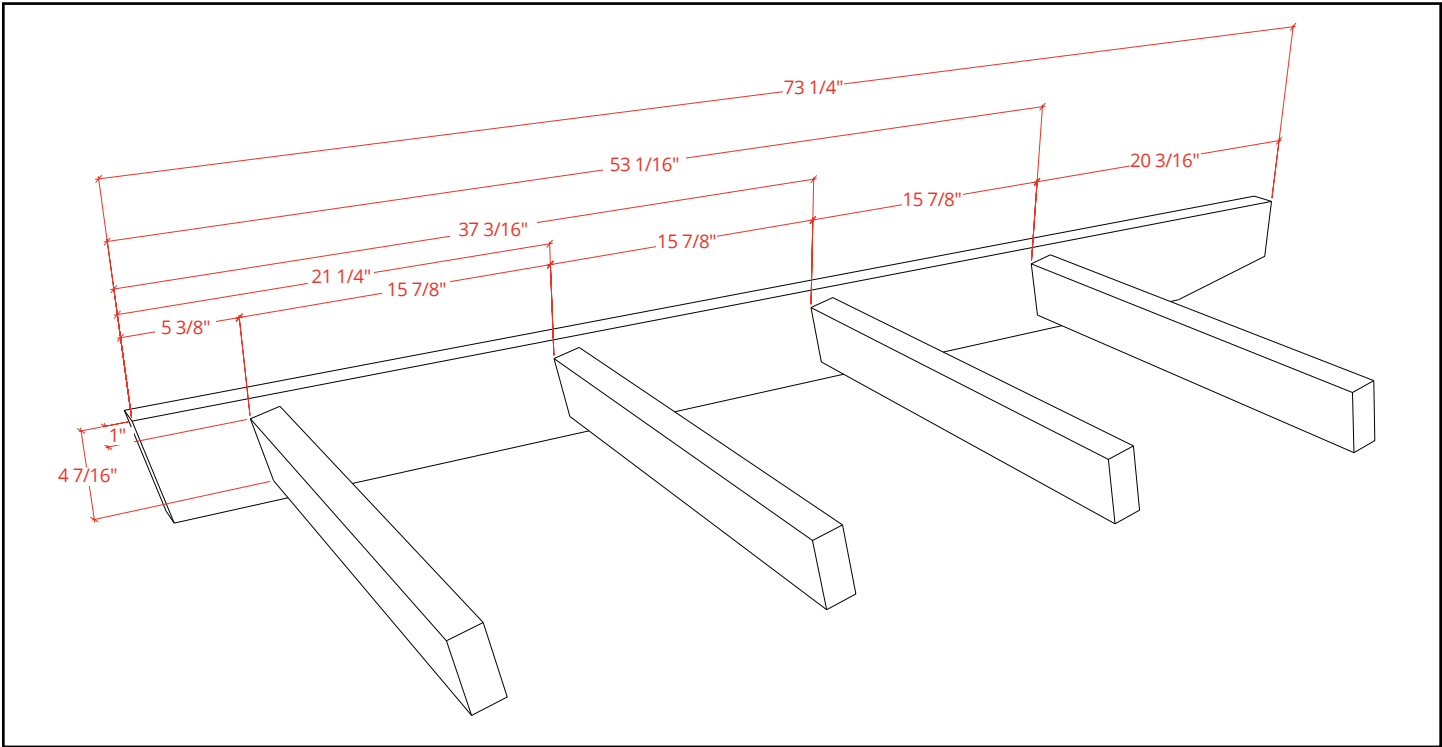
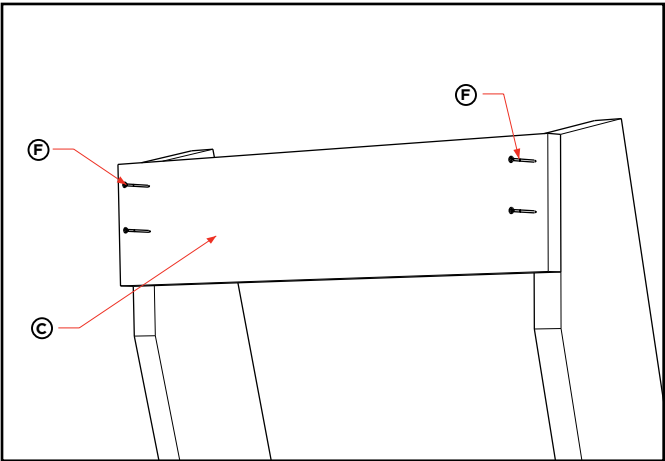
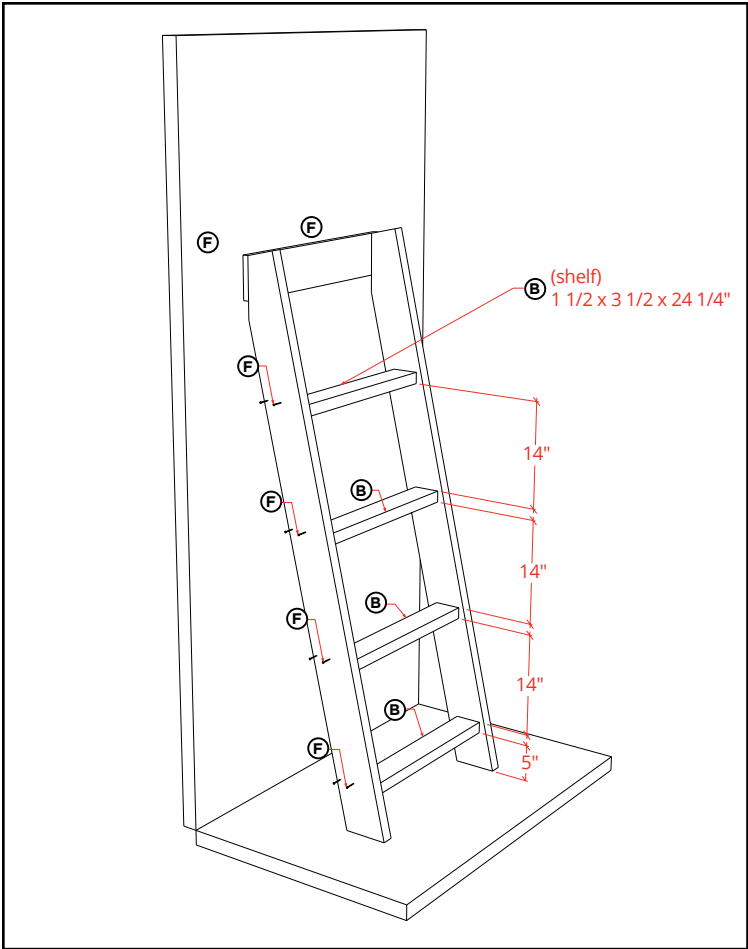
Prep (A) posts according to size and angles shown in figure below.



NOTE: Real Cedar is not responsible for any personal injury or property damage sustained in connection to these guidelines.

STEP 8 - Add Shelves

Prep shelf wood according to measurements specified on material list. Measure & mark the shelf rungs at an angle of 12 degrees on inner (A) posts. Then fasten (B) shelves & (C) back support, using glue & (F) screws. Complete by setting the planter boxes on the rungs where they will fit snugly without need for fasteners and can be lifted off for convenience.



NOTE: Real Cedar is not responsible for any personal injury or property damage sustained in connection to these guidelines.